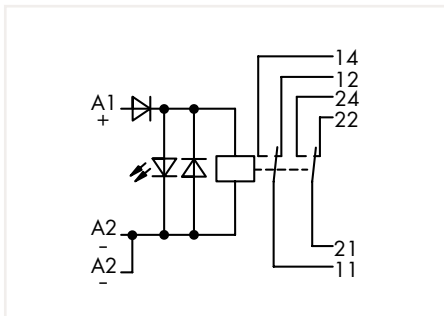
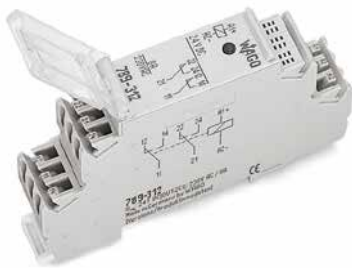


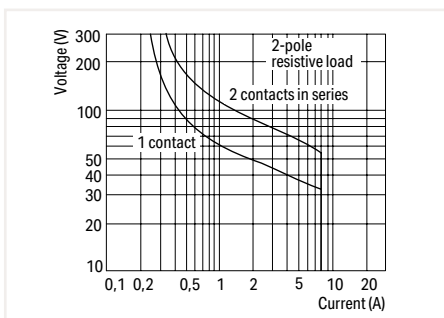
# Relay Module

## 789 Series



Relay Module; 2 changeover contacts; Limiting continuous current: 8 A; Status indicator: red; 18 mm wide

$U_N$	$I_N$	Item No.	Pack. Unit
24 VDC	21 mA	789-312	10



DC Load Limit Curve

Control Circuit	
Input voltage range	-15 ... +10 %

Load Circuit	
Number of changeover/switchover contacts	2
Contact material	AgNi 90/10
Limiting continuous current	8 A
Inrush current (resistive) max.	15 A (AC) / 4 s
Switching voltage (max.)	250 VAC
Switching power (resistive) max.	2000 VA (AC); DC see load limit curve
Recommended minimum load	12 V / 10 mA
Pull-in time (typ.)	8 ms
Drop-out time (typ.)	6 ms
Bounce time (typ.)	6 ms
Mechanical life	30 x 10 <sup>6</sup> switching operations

Signaling	
Status indicator	Red LED

Safety and Protection	
Rated voltage	250 V
Rated surge voltage	4 kV
Pollution degree	2
Dielectric strength, control/load circuit (AC, 1 min)	5 kV <sub>rms</sub>
Dielectric strength, open contact (AC, 1 min)	1 kV <sub>rms</sub>
Dielectric strength, load/load circuit (AC, 1 min)	2.5 kV <sub>rms</sub>
Protection type	IP20

Connection Data	
Connection technology	CAGE CLAMP®
Solid conductor	0.08 ... 2.5 mm <sup>2</sup> / 28 ... 14 AWG
Fine-stranded conductor	0.08 ... 2.5 mm <sup>2</sup> / 28 ... 14 AWG
Strip Length	9 ... 10 mm / 0.35 ... 0.39 inch

Physical Data	
Width	17.5 mm / 0.689 inch
Height from upper-edge of DIN-rail	55 mm / 2.165 inch
Depth	90 mm / 3.543 inch

Mechanical Data	
Mounting type	DIN-35 rail

Material Data	
Weight	55 g

Environmental Requirements	
Surrounding air temperature (operation at $U_N$ )	-25 ... +40 °C
Surrounding air temperature (storage)	-40 ... +85 °C
Processing temperature	-25 ... +50 °C

Standards and Specifications	
Standards/specifications	EN 61010-2-201